



OPTILINER

MULTI-PURPOSE VEHICLE



www.benalu.com - facebook : [benaluofficial](#) - youtube : [benalu constructeur](#)



Type: Trailer body

Chassis: aluminium

Box: aluminium

Useful length: from 9.50 m to 13.30 m

Useful height: from 1.85 m to 2.40 m

Volume: from 43 to 89 m³

Usage : Agricultural products, pallets, fertiliser, big bags, large lengths of scrap, etc.



- **Multi-purpose vehicle:** Internal box angle designed to transport pallets (up to 33)
- **Optimised useful passage:** Passage width of 2470 mm suitable for storing pallets
- Sides of varying thicknesses to meet the requirements of your loads
- **Unhooked aluminium chassis** to optimise volume and improve stability

OPTIONS DESIGNED FOR OPTIMUM USAGE!

- Tarpaulin base for sticky products on the front right face (patent no. FR2976532)
- Manual or electrical side tarpaulin EASYTARP™
- Unlimited choice of colours and configurations
- Rear doors as required
- Various wall thicknesses (base and sides)
- etc.

Examine the various available options on www.benalu.com



OPTILINER

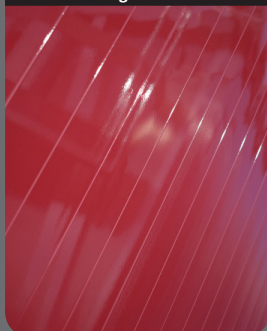
MULTI-PURPOSE VEHICLE



www.benalu.com - facebook : benaluofficial - youtube : benalu constructeur

TECHNICAL SPECIFICATIONS

Straight sides



Straight sides that provide for good visual appeal and more options for customisation.

Universal door



Universal door of various thicknesses closed by bolts and gate.

Side tarpaulin



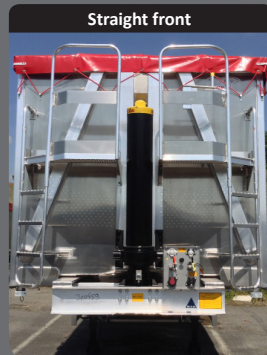
Side tarpaulin for fastening by straps suitable for all types of door.

Right-angled box floor



Box floor specially designed to transport pallets (up to 33 pallets)

Straight front



A straight front with external jack cylinder providing a volume extending to 89 m³

OPTIONS & VARIANTS

Progressive box thickness



Exclusive BENALU

Sides with a progressive internal thickness that meets the requirements for unloading.

EASYTARP™ tarpaulin



Innovation BENALU

EASYTARP™ electric tarpaulin totally automated by radio-control. (Patent no. EP2878551)

Base tarpaulin



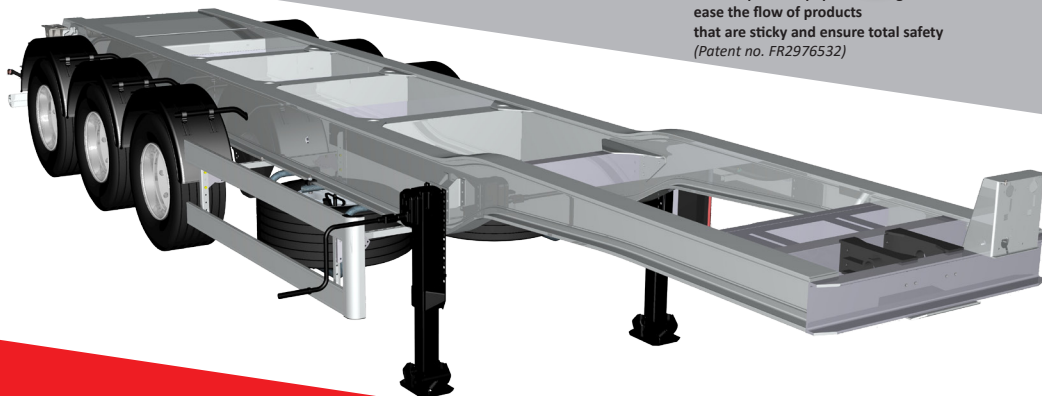
Innovation BENALU

Base tarpaulin equipment designed to ease the flow of products that are sticky and ensure total safety (Patent no. FR2976532)

Removable upper beam



Upper beam that can be removed provide integral clearance.



100% aluminium detached chassis
100% aluminium detached chassis
of stability

Rue Fresnel - BP 10002 - 62801 LIEVIN Cedex - France
E-MAIL : contact@benalu.com
WEBSITE : www.benalu.com / www.bennesmarrel.com
FACTORY : Tel. +33 (0)3 21 79 43 00
REPAIRS : Tel. +33 (0)3 21 79 43 70
SPARE PARTS: Tel. +33 (0)3 21 79 43 33